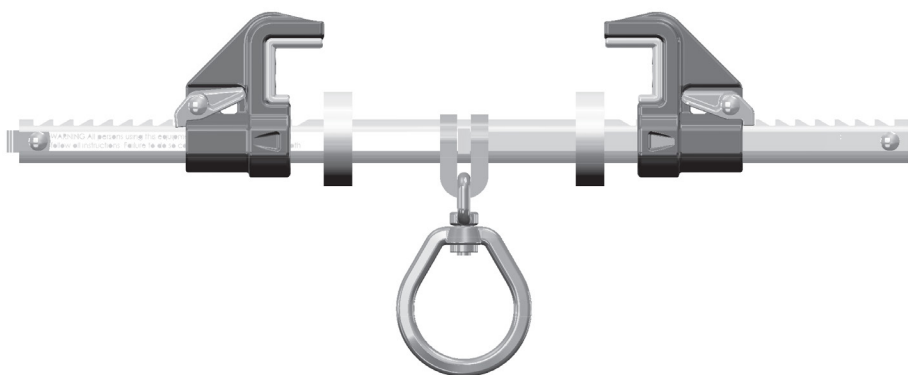


# singing rock



## BANTAM BEAMER ADJUSTABLE FROM 3.5"-14" Model # BWA014K



**WARNING:** ALL PERSONS USING THIS EQUIPMENT MUST READ AND UNDERSTAND ALL INSTRUCTIONS. FAILURE TO DO SO MAY RESULT IN SERIOUS INJURY OR DEATH. USERS SHOULD BE FAMILIAR WITH PERTINENT REGULATIONS GOVERNING THIS EQUIPMENT. ALL INDIVIDUALS WHO USE THIS PRODUCT MUST BE PROPERLY INSTRUCTED ON HOW TO USE THE DEVICE. AVOID CONTACT WITH PHYSICAL HAZARDS (THERMAL, CHEMICAL, ELECTRICAL, ETC.). MAKE ONLY COMPATIBLE CONNECTIONS.

# Read This Instruction Manual Carefully Before Using This Equipment.

User Instructions must always be available to the user and are not to be removed except by the user of this equipment. For proper use, see supervisor, User Instructions, or contact the manufacturer.



## WARNING

Compliant fall protection and emergency rescue systems help prevent serious injury during fall arrest. Users and purchasers of this equipment must read and understand the User Instructions provided for correct use and care of this product. All users of this equipment must understand the instructions, operation, limitations and consequences of improper use of this equipment and be properly trained prior to use per OSHA 29 CFR 1910.66 and 1926.503 or applicable local standards.

**Misuse or failure to follow warnings and instructions may result in serious personal injury or death.**

### PURPOSE

The BWA014K is an anchorage connector designed to function as an interface between the anchorage and a fall protection, work positioning, rope access, or rescue system for the purpose of coupling the system to the anchorage. Any references to "anchorage connector" in this manual include, and apply to, the BWA014K.

### USE INSTRUCTIONS

1. A user must be of sound mind and body to properly and safely use this equipment in normal and emergency situations. Users must have a physician ensure they are clear of any medical conditions that may affect the proper and safe use of this equipment in normal and emergency situations.
2. Before using a personal fall arrest system, user must be trained in accordance with the requirements of OSHA 29 CFR 1910.66 in the safe use of the system and its components.
3. Use only with ANSI/OSHA compliant personal fall arrest or restraint systems. The anchorage must have the strength capable of supporting a static load, applied in the directions permitted by the system, of at least 5,000-lbf (22kN) in the absence of certification.
4. The user shall be equipped with a means of limiting the maximum dynamic forces exerted on the user during the arrest of a fall to a maximum of 8 kN (1800-lbf). In the EU these forces must be limited to 6kN (1350-lbf).
5. Use of this product must be approved by an engineer or other qualified person to be compatible with any and all structural & operational characteristics of the selected installation location and system to be connected to this anchorage connector.
6. The anchorage connector must be inspected prior to each use for wear, damage, and other deterioration. If defective components are found the anchorage connector must be immediately removed from service in accordance with the requirements of OSHA 29 CFR 1910.66 and 1926.502.
7. The anchorage connector should be positioned in such a way that minimizes the potential for falls and the potential fall distance during use. The complete fall protection system must be planned (including all components, calculating fall clearance, and swing fall) before using.
8. A rescue plan, and the means at hand to implement it, must be in place that provides the prompt rescue of users in the event of a fall, or assures that users are able to rescue themselves.
9. After a fall occurs the anchorage connector must be removed from service and destroyed immediately.

**USE LIMITATIONS: The anchorage connector shall not be used outside its limitations, or for any purpose other than that for which it is intended.**

1. The anchorage connector is designed for single user, with a capacity up to 310 lbs (140 kg) including clothing, tools, etc.
2. The anchorage connector may only be loaded as shown in the LOADING CONDITIONS DIAGRAM.
3. The anchorage connector is designed to be used in temperatures ranging from -40°F to +130°F (-40°C to +54°C).
4. Do not expose the anchorage connector to chemicals or harsh solutions which may have a harmful effect.
5. Do not alter or modify this product in anyway.
6. Caution must be taken when using any component of a fall protection, work positioning, rope access, or rescue system near moving machinery, electrical hazards, sharp edges, or abrasive surfaces, as contact may cause equipment failure, personal injury, or death.
7. Do not use/install equipment without proper training by a "competent person" as defined by OSHA 29 CFR 1926.32(f).
8. Do not remove the labeling from this product.
9. Additional requirements and limitations may apply depending on anchorage type and fastening option utilized for installation. All placements must be approved by an engineer or other qualified person.
10. This anchorage connector should not be used as part of a horizontal lifeline system that has not been designed and/or approved to be used with 5,000-lbf (22kn) anchorage connectors.
11. The anchorage connector should only be used for personal fall protection and not for lifting equipment.

### COMPATIBILITY LIMITATIONS

Anchorage connector must only be coupled to compatible connectors. OSHA 29 CFR 1926.502 prohibits snaphooks from being engaged to certain objects unless two requirements are met: it must be a locking type snaphook, and it must be "designed for" making such a connection. "Designed for" means that the manufacturer of the snaphook specifically designed the snaphook to be used to connect to the equipment listed. The following connections must be avoided, because they can result in rollout\* when a nonlocking snaphook is used:

- Direct connection of a snaphook to horizontal lifeline.
- Two (or more) snaphooks connected to one D-ring.
- Two snaphooks connected to each other.
- A snaphook connected back on its integral lanyard.
- A snaphook connected to a webbing loop or webbing lanyard.
- Improper dimensions of the D-ring, rebar, or other connection point in relation to the snaphook dimensions that would allow the snaphook keeper to be depressed by a turning motion of the snaphook.

**\*Rollout: A process by which a snaphook or carabiner unintentionally disengages from another connector or object to which it is coupled. (ANSI Z359.0-2007)**

**PERFORMANCE:**

**Static Tensile Strength:** 5000-lbf (22kN)  
**Maximum Capacity:** One worker with max weight of 310-lbs (140 kg) when used as a single point anchorage connector for personal fall arrest or restraint system

**DIMENSIONS:**

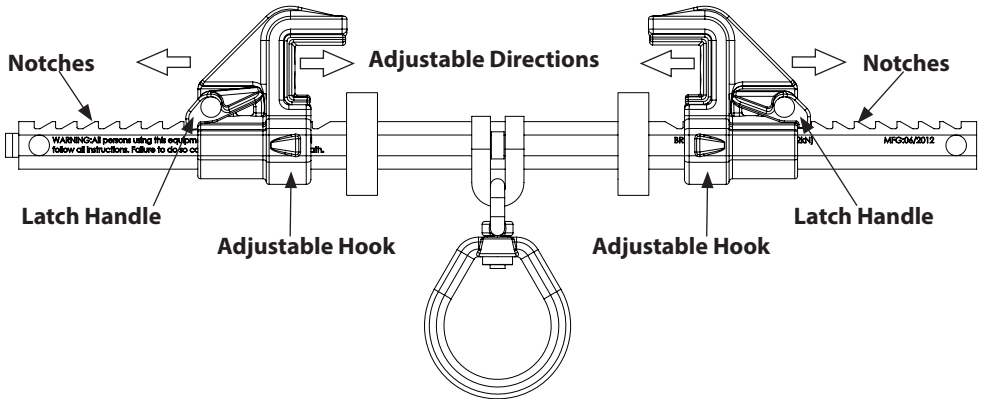
**Weight:** 3.3-lbs (1504g)  
**Beam Flange Width Range:** 3.5" - 14"  
**Beam Flange Thickness:** .25" to 1.25"

**REGULATORY COMPLIANCE:**

ANSI Z359.1-2007, ANSI Z359.7-2011,  
 OSHA 1926.502, OSHA 1910.66  
 EN 795:2012 Type B (CE 0321)  
 EU PPE Directive 89/686/EEC

**COMPONENT MATERIALS:**

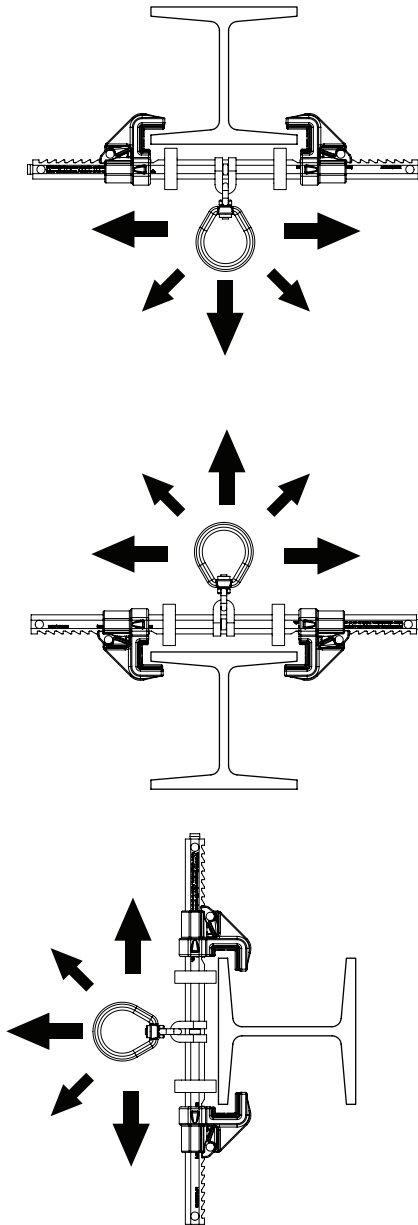
**Aluminum:** Cross Bar  
**Bronze:** Clamps  
**Stainless Steel:** D-Ring Bracket  
**Zinc Plated Steel:** D-Ring, Spring, Hardware

**Installation:**

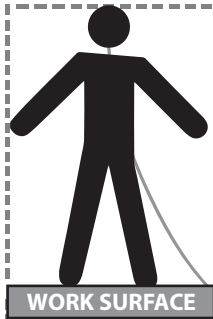
1. Locate a structural steel beam flange capable of withstanding a 5,000-lbf. static load or meeting OSHA 1926.502 requirements for a safety factor of two.
2. Push in on the latch handle to allow the adjustable hook to move.
3. Keeping the unit perpendicular to the beam, fit the hooks over the edges of the beam flange.
4. Slide the adjustable hook so that both hooks are snug against the beam flange.
5. Pull back the adjustable hook to ensure the ratchet teeth are fully seated in the nearest ratchet notches.
6. Tug, rock, and twist the anchor in all directions to ensure that it cannot come off of the flange.

**\*Always re-adjust according to Installation steps 1-6 when moving to a new or different sized beam.**

# LOADING CONDITIONS DIAGRAM

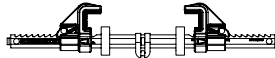


Placement at or below a user's working height requires integration of a compatible ANSI Z359.1 shock-absorbing lanyard that does not allow the user to extend more than 6 feet (in any direction) from the anchorage connector before the shock absorber is activated. The beam anchor must be attached to the I-beam flange facing the user (top flange if above, bottom flange if below, etc.).

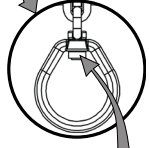


WORK SURFACE

\*The user shall be equipped with a means of limiting the maximum dynamic forces exerted on the user during the arrest of a fall to a maximum of 8 kN (1800-lbf).



(ANCHOR POINT)



Inspect retaining bushing for wear or damage.



WORK SURFACE

***\*All products subjected to fall arresting forces should be removed from service immediately!***

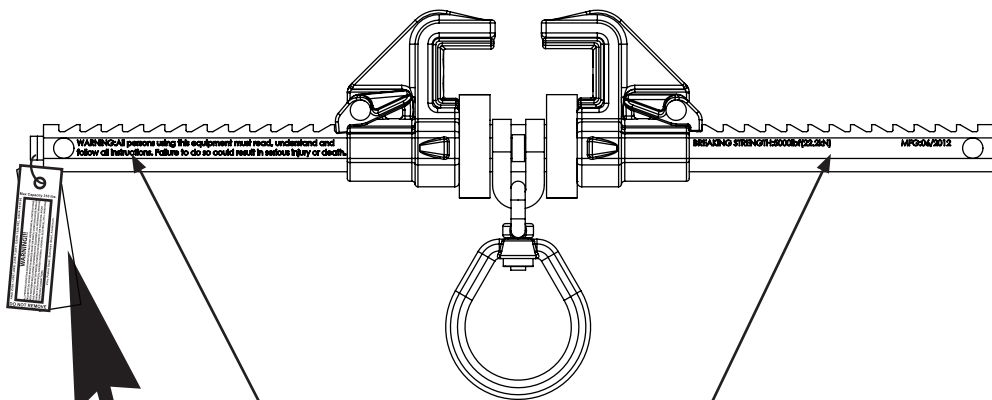


**MINIMUM CLEARANCE 3ft (1m)**

DECK/FLOOR/GROUND LEVEL


WARNING!!! SWING FALLS MAY OCCUR WHEN THE WORKER IS NOT DIRECTLY UNDER ANCHOR POINT.



# WARNING LABEL LOCATIONS





**BREAKING STRENGTH: 5000 lbf (22.2 kN)**  
**MFG: MM/YYYY**

**WARNING: All persons using this equipment must read, understand and follow all instructions. Failure to do so could result in serious injury or death.**

 **Beam anchor**  
**BANTAM BEAMER**  
 Model: BWA014K  
 Batch No:  
 IB14K-XXX  
 SN: XXXX:XXXX

Produced by:  
  0321

MAX 1   
**140 kg**



**WARNING:** ALL PERSONS USING THIS EQUIPMENT MUST READ AND UNDERSTAND ALL INSTRUCTION. FAILURE TO DO SO MAY RESULT IN SERIOUS INJURY ORT DEATH. USERS SHOULD BE FAMILIAR WITH PERTINENT REGULATIONS GOVERNING THIS EQUIPMENT. ALL INDIVIDUALS WHO USE THIS PRODUCT MUST BE PROPERLY INSTRUCTED ON HOW TO USE THE DEVICE. AVOID CONTACT WITH PHYSICAL HAZARDS (THERMAL, CHEMICAL, ELECTRICAL, ETC.) MAKE ONLY COMPATIBLE CONNECTIONS.

**Compliance:** ANSI Z359.1 2007  
 ANSI Z359.7 2011  
 OSHA 1910.66 / 1926.502  
 EN 959-B202

**Material:** ALUMINUM ALLOY,  
 BRONZE, STAINLESS STEEL  
 ZINC PLATED STEEL

**DO NOT REMOVE**

 **Kotvící prostředek**  
**BANTAM BEAMER**  
 Model: BWA014K  
 Výr. šarže:  
 IB14K-XXX  
 SN: XXXX:XXXX

Výrobce:  
  0321

MAX 1   
**140 kg**



**UPOZORNĚNÍ:** UŽIVATEL TOHOTO VÝROBKU SE MUSÍ SEZNÁMÍT A POCHOŘIT VŠECHNY INSTRUKCE. NEDODRŽENÍ TOHOTO DOPORUČENÍ MŮŽE ZPŮSOBIT TĚŽKÝ ÚRAZ NEBO SMŔT. UŽIVATEL SE MUSÍ SEZNÁMÍT S RELEVANTNÍMI PŘEPISY. KAŽDÝ UŽIVATEL MUSÍ PROJIT NÁLEŽITÝM ŠKOLENÍM. ZAMĚZTE PŮSOBNÍ NEPŘÍZNIVÝCH VLIVŮ NA VÝROBEK (NADMĚRNÁ TĚLOTA, EL. PROUD, CHEMICKÁJE...), POUŽÍVEJTE POUZE S KOMPATIBILNÍM VÝROBKEM.

**Použití normy:** ANSI Z359.1 2007  
 ANSI Z359.7 2011  
 OSHA 1910.66 / 1926.502  
 EN 959-B202

**Material:** DURAL BRONZ,  
 NEREZOVÁ OCEĽ  
 POZINKOVANÁ OCEĽ

**NESUNDÁ VEJTE!**

**WARNING: It is essential to the safety of the end user that the seller of this device include all instructions pertaining to the proper use, maintenance and inspection of the device in the language of the country in which the product is to be sold.**

## **MAINTENANCE, CLEANING AND STORAGE**

Cleaning periodically will prolong the life and proper functioning of the product. The frequency of cleaning should be determined by inspection and by severity of the environment. Clean with compressed air and/or a stiff brush using plain water or a mild soap and water solution. Do not use any corrosive chemicals that could damage the product. Wipe all surfaces with a clean, dry cloth and hang to dry, or use compressed air. When not in use, store anchorage connectors in a cool, dry, clean environment, out of direct sunlight and free of corrosive or other degrading elements.

\*It is essential for the safety of the end user that if this product is re-sold outside the original country of destination the reseller shall provide instructions for use, maintenance, and for periodic examination and repair in the language of the country in which the product is to be used.

## **INSPECTION AND MAINTENANCE LOG**

**MODEL NUMBER:** \_\_\_\_\_

**DATE OF MANUFACTURE:** \_\_\_\_\_

<b>Date</b>	<b>Part Number</b>	<b>Comments</b>	<b>Inspector Name</b>

### **Inspection:**

Official periodic inspection must be made at least annually. The inspection must be performed by a qualified person other than the intended user. If severe weather or conditions exist then inspections must be carried out more frequently. All inspection results must be logged in the space provided above. (It is recommended that the anchor device is marked with the date of the next or last inspection.)

1. Make sure all labeling is affixed to the unit.
2. Inspect anchoring system for signs of damage or wear.
3. Make sure the ring is free to swivel and pivot.
4. Check for excessive play and wear on the retaining bushing  
(Bushing should not wiggle or rotate.)
5. Ensure latches engage and disengage properly.
6. Record inspection results in the space provided above.

**\*If any damage that could affect the strength or operation of the device, or unsafe conditions are found, proper disposal is required. The anchorage connector must be rendered unusable and then properly discarded.**

## **Product Warranty, Limited Remedy and Limitation of Liability**

**WARRANTY: THE FOLLOWING IS MADE IN LIEU OF ALL WARRANTIES OR CONDITIONS, EXPRESS OR IMPLIED, INCLUDING THE IMPLIED WARRANTIES OR CONDITIONS OF MERCHANTABILITY OR FITNESS FOR A PARTICULAR PURPOSE.** Equipment offered by Singing Rock is warranted against factory defects in workmanship and materials for a period of one year from date of purchase or first use by the original owner.

**LIMITED REMEDY:** Upon notice in writing, Singing Rock will repair or replace all defective items at Singing Rock's sole discretion. Singing Rock reserves the right to require that the defective item be returned to its plant for inspection before determining the appropriate course action. Warranty does not cover equipment damage resulting from wear, abuse, damage in transit, failure to maintain the product or other damage beyond the control of Singing Rock. Singing Rock shall be the sole judge of product condition and warranty options. This warranty applies only to original purchaser and is the only warranty applicable to this product. Please contact Singing Rock technical service department for assistance.

**LIMITATION OF LIABILITY: IN NO EVENT WILL SINGING ROCK BE LIABLE FOR ANY INDIRECT, INCIDENTAL, SPECIAL OR CONSEQUENTIAL DAMAGES INCLUDING, BUT NOT LIMITED TO LOSS OF PROFITS, IN ANY WAY RELATED TO THE PRODUCTS REGARDLESS OF THE LEGAL THEORY ASSERTED.**

Produced by:

The logo for ClimbTech features the company name in a bold, sans-serif font. The text is centered between two thick, black, slanted rectangular bars that create a sense of depth and stability.

ClimbTech LLC.

7303 Burleson Rd STE 901  
Austin, TX 78744

CE 0321

**Notified Body responsible for the EC type examination  
and ongoing conformity:**

**SATRA Technology Centre,  
Wyndham Way,  
Telford Way,  
Kettering,  
Northamptonshire, NN16 8SD  
United Kingdom / Tel: +44 (0)1536 410000**

**Singing Rock**  
**Poniklá 317 · CZ - 514 01 Poniklá · Czech Republic**  
**Tel. + 420 481 585 007 · Fax + 420 481 540 040**  
**E-mail: [info@singingrock.cz](mailto:info@singingrock.cz)**  
[www.singingrock.com](http://www.singingrock.com)